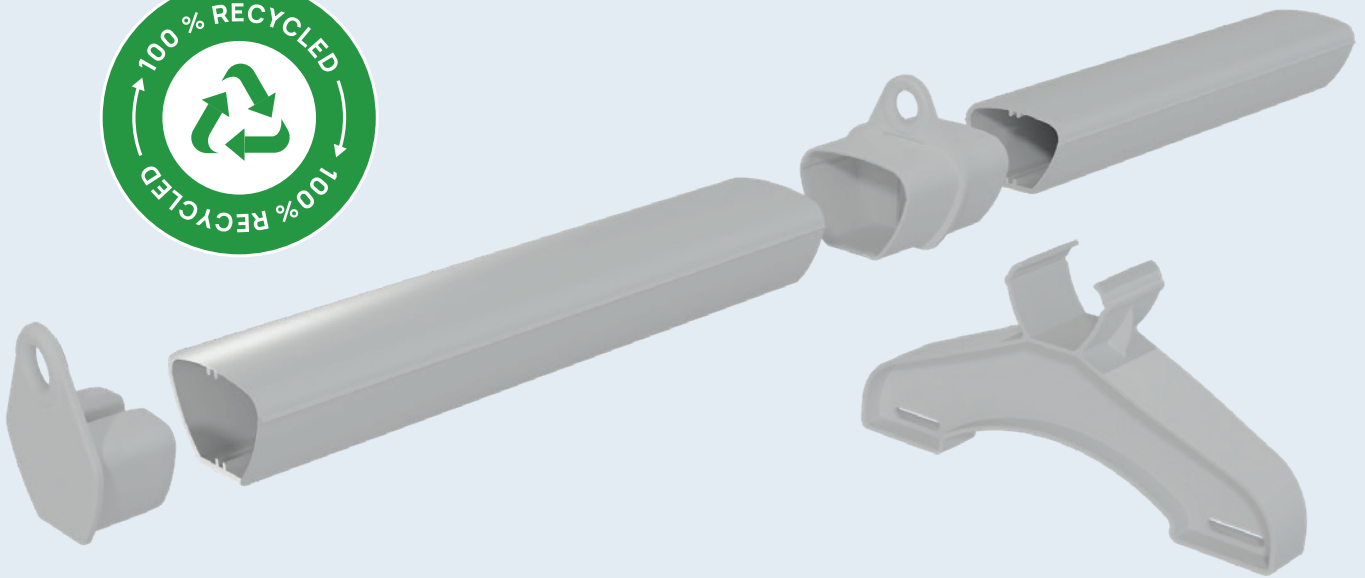


# **LUBING**

## **BIO-BROILER PERCH SYSTEM FOR FLOOR REARING**

MEETS THE DESIGN INSTRUCTIONS FOR THE PERCH SHAPE



## BIO-BROILER PERCH SYSTEM FOR FLOOR REARING

### Systematic stable construction with tested quality

The new Bio-Broiler perch system for floor rearing has an excellent seating comfort thanks to its specially rounded profile and is also self-cleaning. Due to its ergonomic shape and height, it can be used for all age groups in broiler floor rearing. The contour of the broiler perch system developed here ensures a secure stand and less stress, as well as reduced injuries and animal losses, which contributes to „animal welfare“.

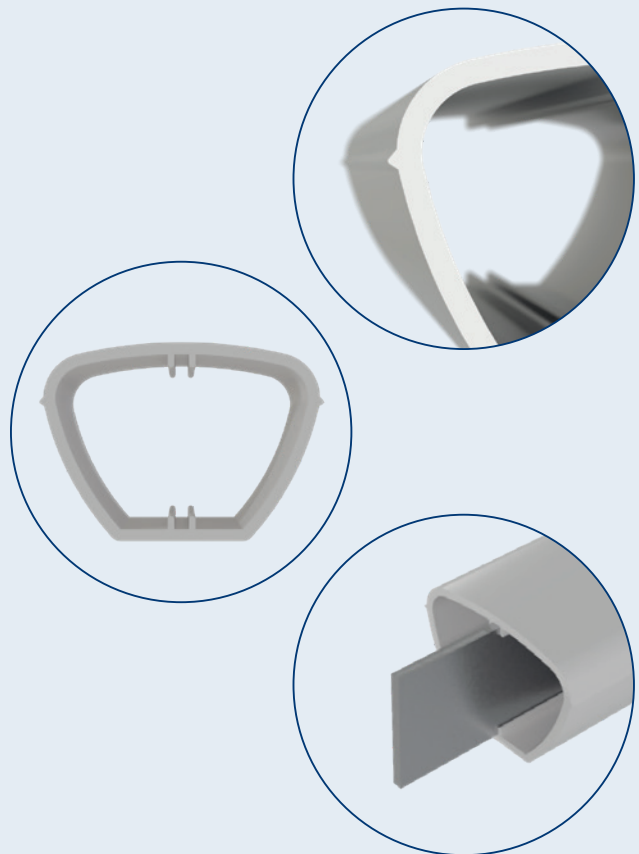
The perch has a height of 100 mm and a standard length of 4,600 mm. There are eyelets on the end caps and couplings of the perch for a rope attachment, for pulling the system up when cleaning the stable.

hygienic  
+  
ergonomic



### ADVANTAGES

- Meets the implementation instructions "Design and requirements for the perch shape" of the Animal Welfare and Livestock Husbandry Ordinance. (§13 Paragraph 5 No.6)
- The generous and slightly rounded surface in the upper area means that the balls of the feet are evenly loaded, minimizing foot problems. The perch has an optimal tread width of 42 mm and a specially designed circumference of 118 mm.
- A physiological resting position is ensured so that the foot finds optimal support on the perch.
- The highly impact-resistant and UV-stabilized PVC material ensures that the perch cannot splinter and is shatterproof.



# LUBING

Further information under  
[WWW.LUBING.COM](http://WWW.LUBING.COM)

**LUBING Maschinenfabrik GmbH & Co. KG**

Lubingstraße 6 · 49406 Barnstorf

☎ +49(0)54 42 - 98 79-0

☎ +49(0)54 42 - 98 79-33

[www.lubing.com](http://www.lubing.com) · [info@lubing.com](mailto:info@lubing.com)

0869-1/24-11 · Subject  
to technical changes.